


iWALK 2.0


Hate your crutches? Limited by your knee scooter?
THE NEXT GENERATION OF HANDS-FREE MOBILITY IS HERE!

Easily manage you daily activities, play with your kids, hold your baby, get up and down stairs, use public transit, work, exercise, or go shopping!

NEW & IMPROVED




- Lateral offset, catamaran rocker tread, self-stabilizing foot makes balancing easy and intuitive. Rotates 180° for right or left leg use.
- Proprietary glass reinforced thermoplastic, paired with engineered forms, keeps the device light and sturdy.



- Comfortable woven straps have fabric covered foam pads, easy infinite adjustment and quick release buckles.
- Donning and doffing takes seconds.



Integral handle makes learning easier and allows short trips without strapping in. Triangulated alloy tube frame enhances user stability.



- Ergonomic knee platform shape provides greater comfort and control.
- Independent upper and lower leg height adjustments makes fitment fast and easy.



- Rigid, independently adjustable thigh cradles provide enhanced stability and simple tool-free size adjustments.

TESTIMONIALS

- AWKWARD - WALKWARD**
- "As a General Surgeon, I spend my working hours standing at an operating table, impossible with crutches...and have been on my iWALKFREE...for nearly six months. This device is one of the most fantastic, original, insightful and important medical innovations of recent years and has allowed me to maintain my job, my family, and my sanity despite a nasty injury."
—Richard W. Shallman MD. WA.
 - "This product has changed my outlook. I feel better now that I can work and be more useful at home with simple things that I could not do on crutches."
— Lee Forrest
 - "[iWALK] provides many benefits for the patient...early mobilization and helping] to decrease loss of both bone density and muscle strength."
—Janet Cleave H.B.Sc.,B.Sc.,P.T.

AWKWARD - WALKWARD



- ELIMINATE HAND / UNDER ARM / WRIST PAIN
- EASIER THAN CRUTCHES
- EASY TO LEARN
- RELIABLE
- SAFE
- PROVEN
- COMFORTABLE



LIFESTYLE

GET YOUR LIFE BACK

EASY TO LEARN

EASY TO USE

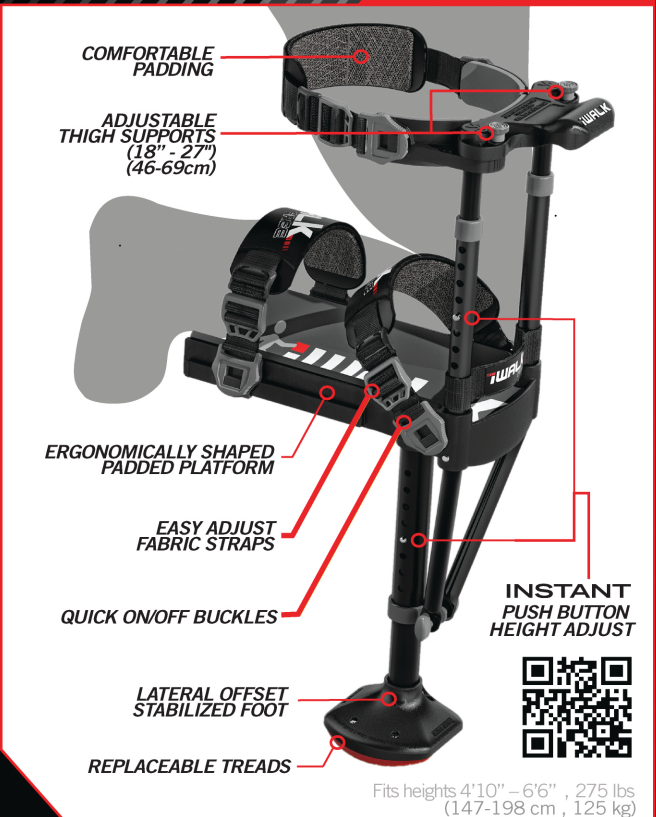
PROVEN

AFFORDABLE

COMFORTABLE



FEATURES



Fits heights 4'10" - 6'6", 275 lbs (147-198 cm, 125 kg)



Lightweight, durable, comfortable and inexpensive, the world's best selling hands-free crutch just got even better.

Fits heights 4'10" - 6'6", 275 lbs (147-198 cm, 125 kg)

WARNING ⚠️
For lower leg injuries only. Should not be used if balance or leg strength is compromised.

iwalk-free.com



For lower leg injuries including:

Achilles injuries, foot / ankle sprains and fractures, foot ulcers, tibia / fibula fractures
Most lower leg non-weight bearing injuries

BENEFITS:

- Improves mobility during rehabilitation
- Reduce muscle atrophy
- Reduces post-recovery rehabilitation time
- Affordable
- Covered by many insurance plans
- Eliminates pain and fatigue of conventional crutches
- Boosts user independence, morale and confidence
- Ability to perform common tasks that are impossible with standard crutches & knee scooters
- Easier to learn than conventional crutches
- Fully adjustable - Fits users 4'10" to 6'6"
- Adapts to left or right leg use in seconds without tools



"Save unnecessary pain in relationships by not relying heavily on others."

Wife of the user - Michigan

"Thank you again for a great product, it has facilitated my return to work and functionality."

Dr. K. Nagel - Georgia

"... My doctor moved my weight bearing ahead by a full 4 weeks! Thanks."

Father Paul Doucet - New Brunswick

Video tutorials available



www.iwalk-free.com/instruction-videos

Easy as 1-2-3

1. ASSEMBLE



Easy, quick, tool free

2. FIT



Self fit in minutes

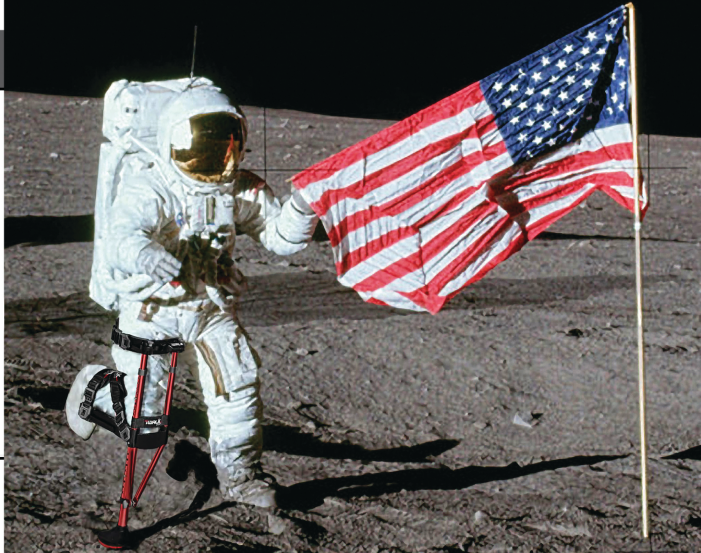
3. WALK



Learn in minutes, On/Off in seconds

GET YOUR LIFE BACK

One small step for man
One giant leap for mobility



NASA has continually denied photo editing the moon landing pictures.

iwalk-free.com

The world's original hands free crutch

world's original
universes

Distributor information here

iWALKFree, Inc. 956513 C7 Mulmur, Mansfield, ON L0N1M0, Canada
877 268-1466 sales@iwalk-free.com

LEARN MORE HERE!

For lower leg non-weight bearing injuries



GET YOUR LIFE BACK



NEW

HANDS FREE PAIN FREE KNEE CRUTCH

iWALK 2.0

For more information go to iwalk-free.com



CE FDA